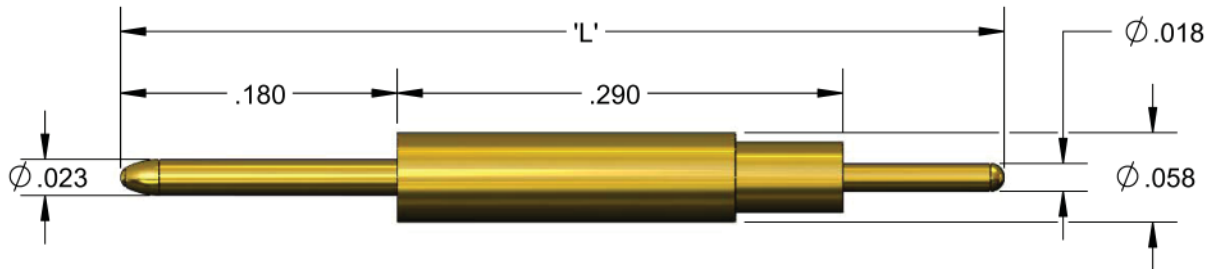


2300 SERIES PIN - Ø0.60mm (0.023)

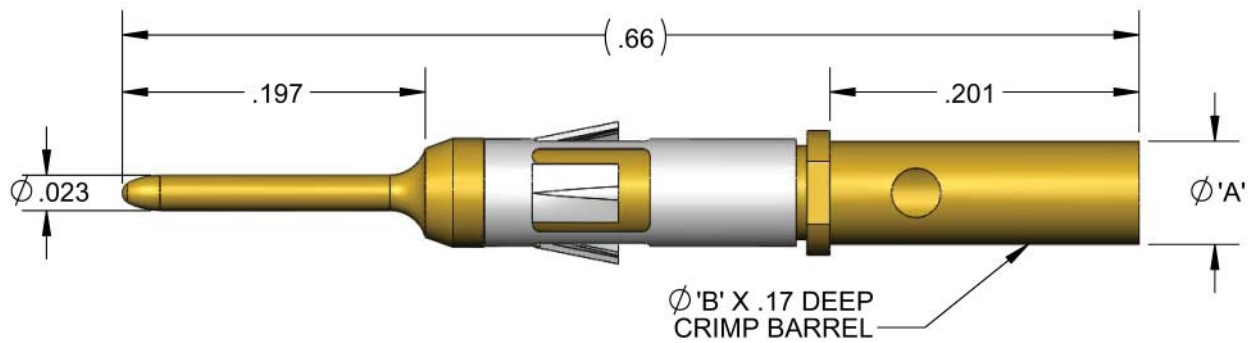
DIP SOLDER

PART NO.	'L'
TPD2328	.66
TPD2328A	.63
TPD2328B	.58
TPD2328C	.595



CRIMP

PART NO.	'A'	'B'
TPC2307	.072	.058
TPC2308	.067	.048
TPC2309	.051	.031



SOLDER CUP

TPS2306

