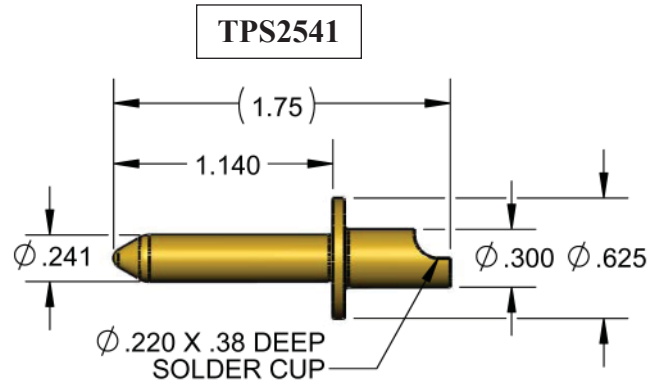


2541 SERIES PIN - Ø6.12mm (0.241)

SOLDER CUP



POWER TERMINAL

