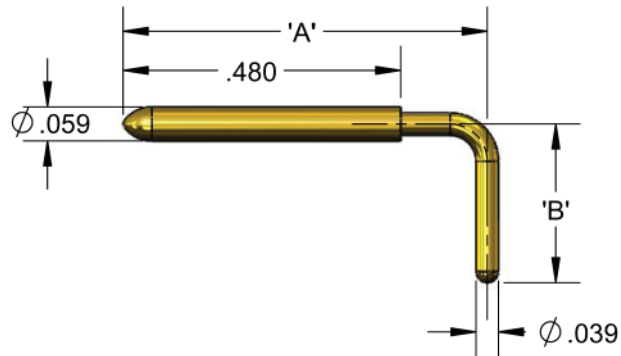


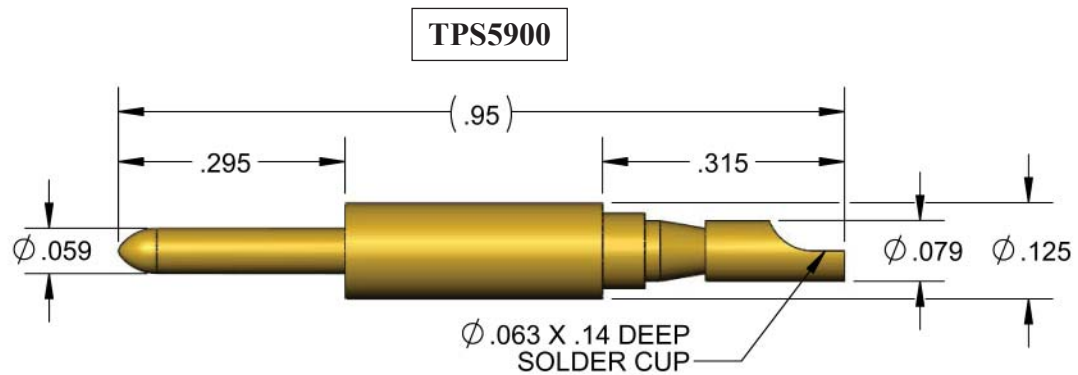
5900 SERIES PIN - Ø1.50mm (0.059)

DIP SOLDER, RIGHT ANGLE

PART NO.	'A'	'B'
TPD5900	.63	.28
TPD5901	.83	.43



SOLDER CUP



POWER TERMINAL

