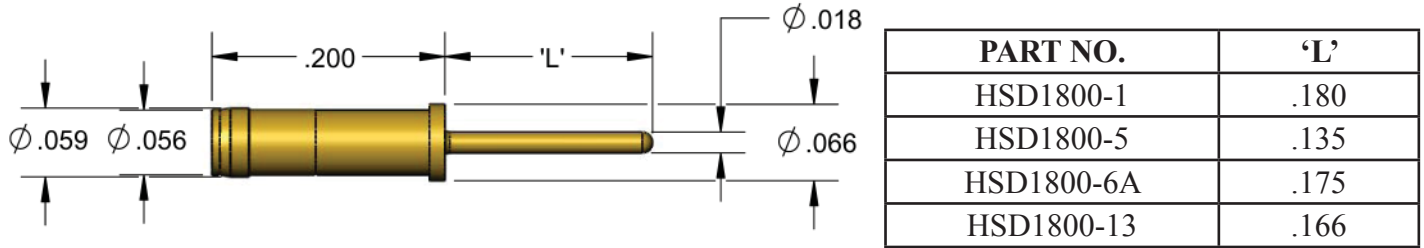
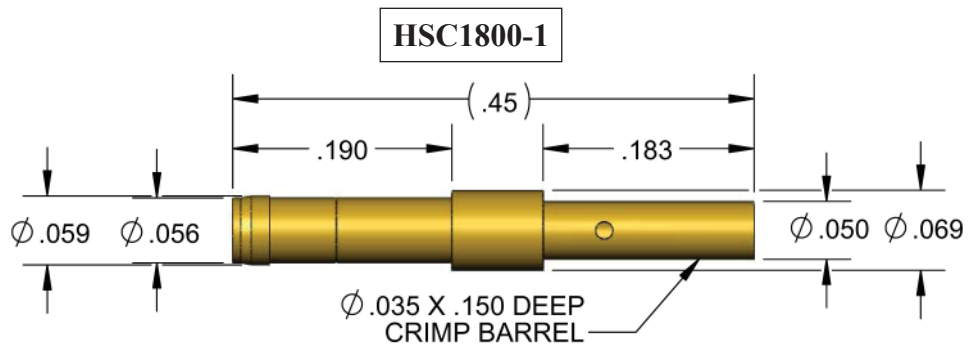


1800 SERIES SOCKET - ACCEPTS Ø0.45mm (0.018) MATING PIN

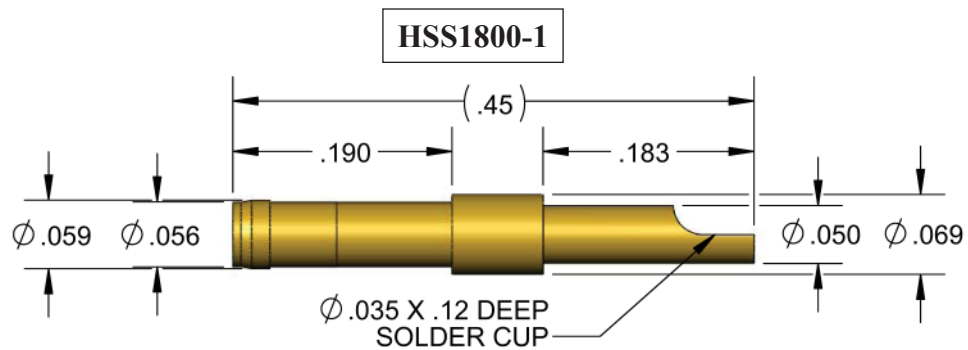
DIP SOLDER



CRIMP



SOLDER CUP



PWB

