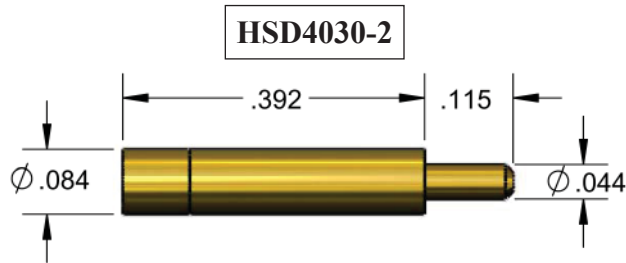
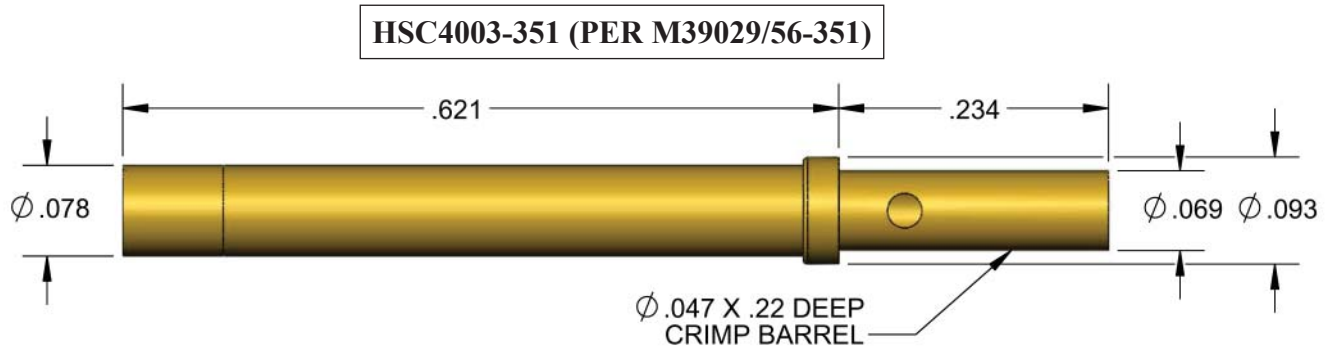


4000 SERIES SOCKET- ACCEPTS Ø0.040 (1mm) MATING PIN

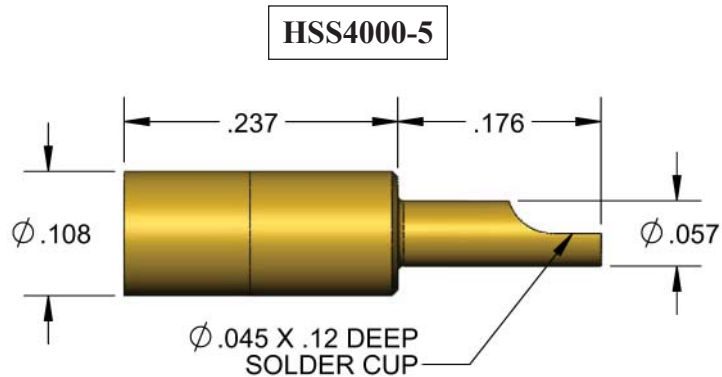
DIP SOLDER



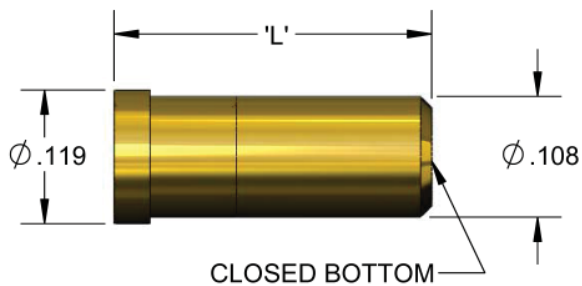
CRIMP



SOLDER CUP



PWB



PART NO.	'L'
HSR4000-1	.285
HSR4000-3	.358