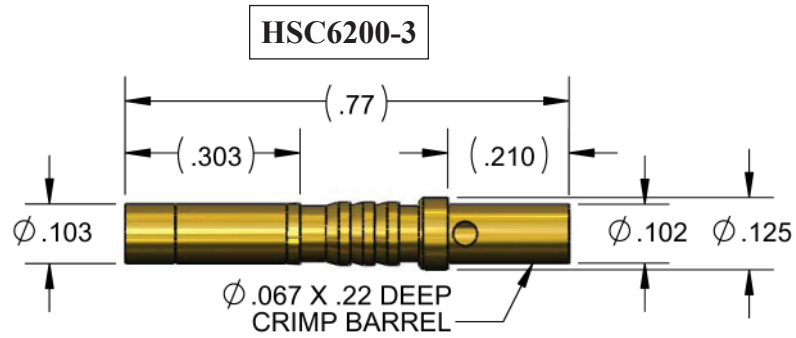
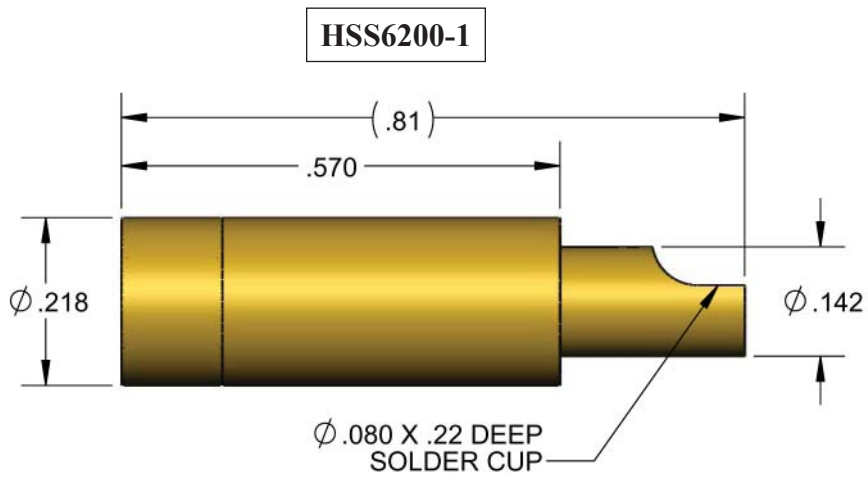


6200 SERIES SOCKET- ACCEPTS Ø0.062 (1.57mm) MATING PIN

CRIMP



SOLDER CUP



PWB

