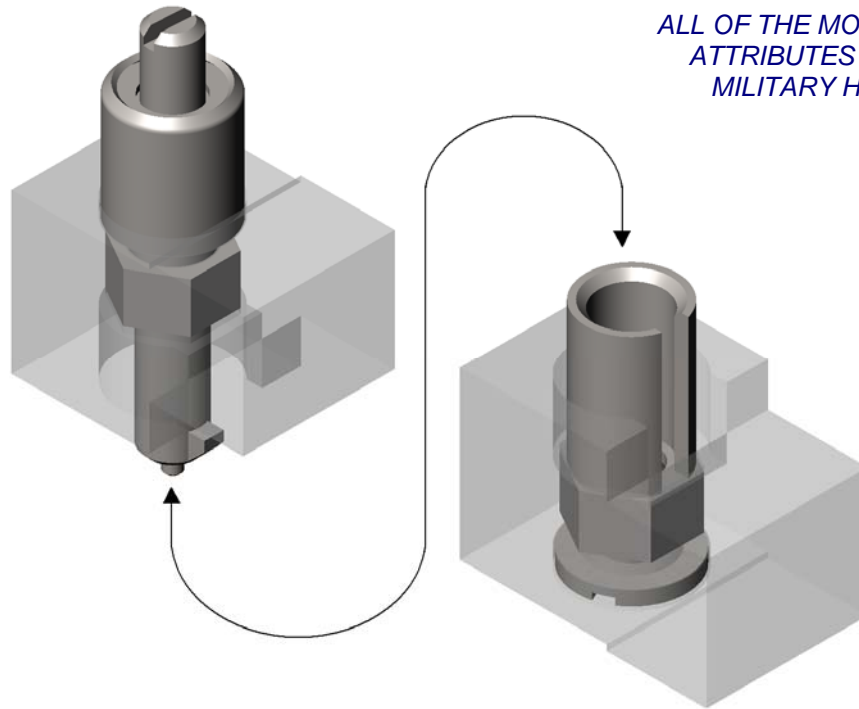


HRM 3-ROW JKL HARDWARE (JACKLESS KEYABLE LOCKING)

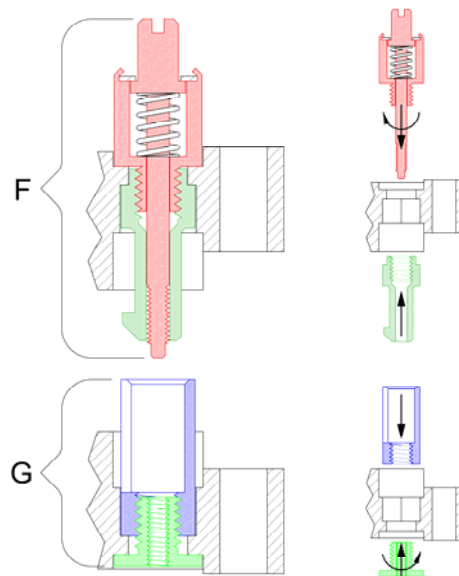


ALL OF THE MOST DESIRABLE
ATTRIBUTES OF PROVEN
MILITARY HARDWARE

JACKLESS - A new spring loaded jacket design allows the user to fully mate the connectors before screwing down the hardware. Most traditional designs do not allow a full mate, limiting the progress to 1 turn per screw per side, this process is repeated until locked.

KEYABLE - The interlocking pieces incorporate a hex body with a fixed slot and key. 'F' hardware (see diagram) contains the key and 'G' hardware contains the slot. Both HRM insulators for F and G employ a hex recess to accommodate up to 36 polarization options for 2 pairs.

LOCKING - For high stress and vibration environments, connectors are fully locked for uninterrupted operation.



ASSEMBLY DIAGRAM